

HZ881000TX Zephs Bar Cart

Gun Metal & Black Glass

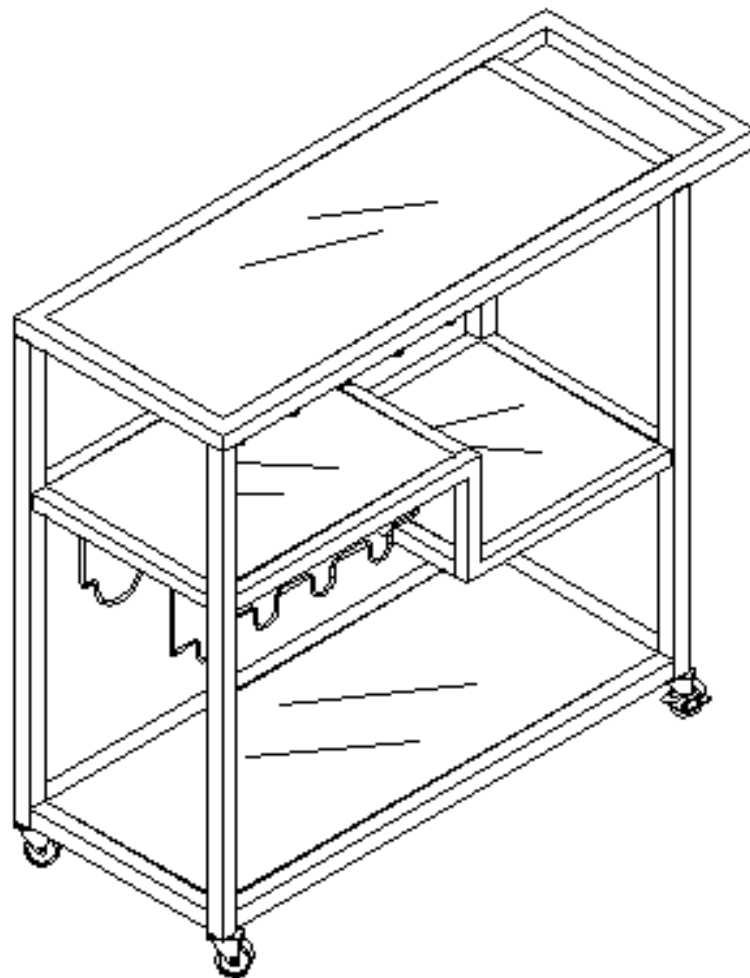
HZ881800TX Zephs Bar Cart

White & Grey Glass

ASSEMBLY INSTRUCTION

HOLLY & MARTIN® 
FUNCTION • MEETS • STYLE

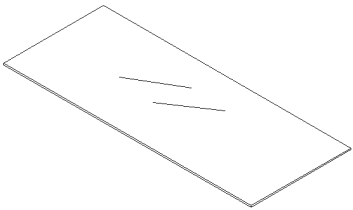
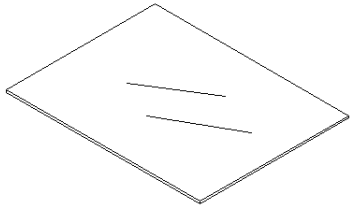
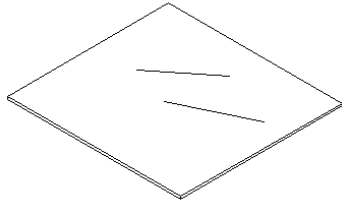
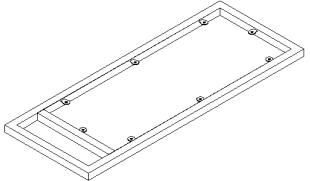
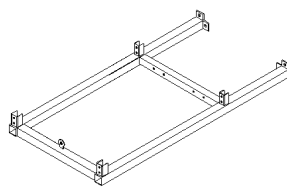
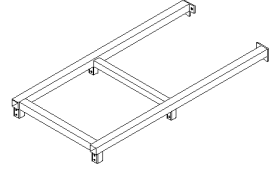
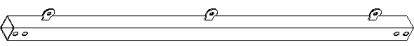
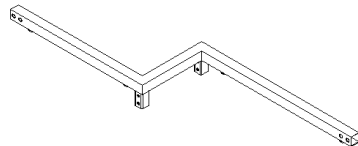
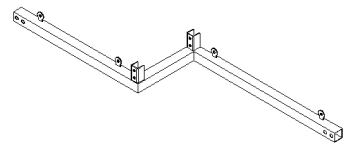
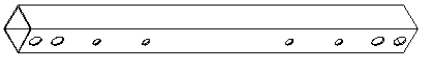

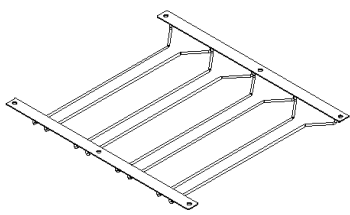
Holly & Martin® a valued brand of SEI
Customer Service [1-800-633-5096](tel:1-800-633-5096)
service@hollyandmartin.com
www.hollyandmartin.com

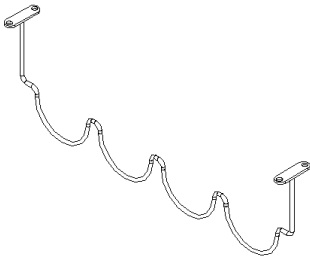
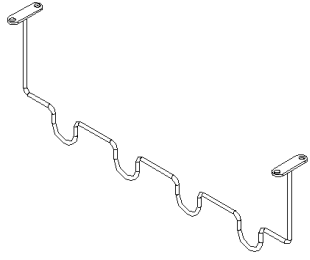


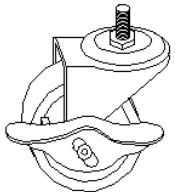
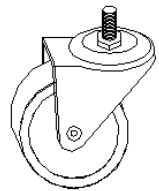
Zephs Bar Cart

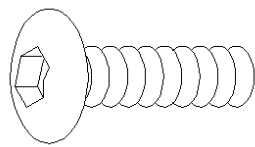
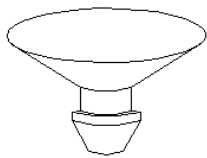
Parts list

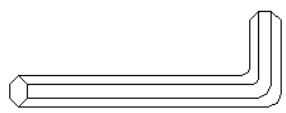
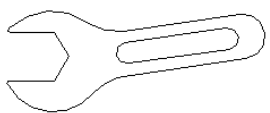
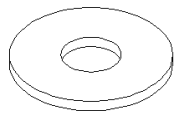
Please review all parts and hardware before disposing of any packaging. Call Customer Service if missing any hardware. Using a screw that is too long will cause damage. Before beginning assembly, separate each type of screw. Carefully study the diagrams below. You may receive extra hardware with your unit.

A. Quantity of 2  Top/Bottom glass	B. Quantity of 1  Shelf glass	C. Quantity of 1  Shelf glass
D. Quantity of 1  Top frame	E. Quantity of 1  Left leg	F. Quantity of 1  Right leg
G. Quantity of 2  Bottom rail	H. Quantity of 1  Front middle rail	I. Quantity of 1  Back middle rail
J. Quantity of 1  Upper middle rail	K. Quantity of 1  Lower middle rail	L. Quantity of 1  Stemware rack

<p>M. Quantity of 1</p>  <p>Wine holder back frame</p>	<p>N. Quantity of 1</p>  <p>Wine holder front frame</p>
---	--

<p>1. Quantity of 2</p>  <p>Caster with lock</p>	<p>2. Quantity of 2</p>  <p>Caster without lock</p>
---	--

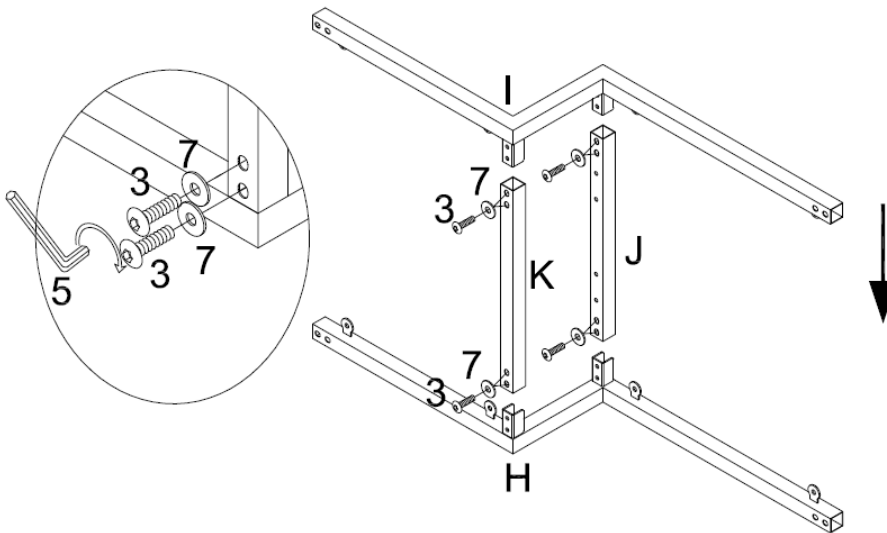
<p>3. Quantity of 46</p>  <p>Bolt :ϕ1/4"x5/8"</p>	<p>4. Quantity of 24</p>  <p>Glass pad</p>
--	---

<p>5. Quantity of 1</p>  <p>Allen wrench</p>	<p>6. Quantity of 1</p>  <p>Crescent wrench</p>	<p>7. Quantity of 32</p>  <p>Flat washer</p>
---	--	---

<p>Care and Cleaning Instructions: Before using, wipe with a clean, dry cloth. Avoid rubbing or scratching the surface with rough or abrasive objects.</p>	<p>Call SEI customer service at 1-800-633-5096 for assistance, questions, or parts.</p>
---	---

HZ881800TX Zephs Bar Cart

Assembly Instructions



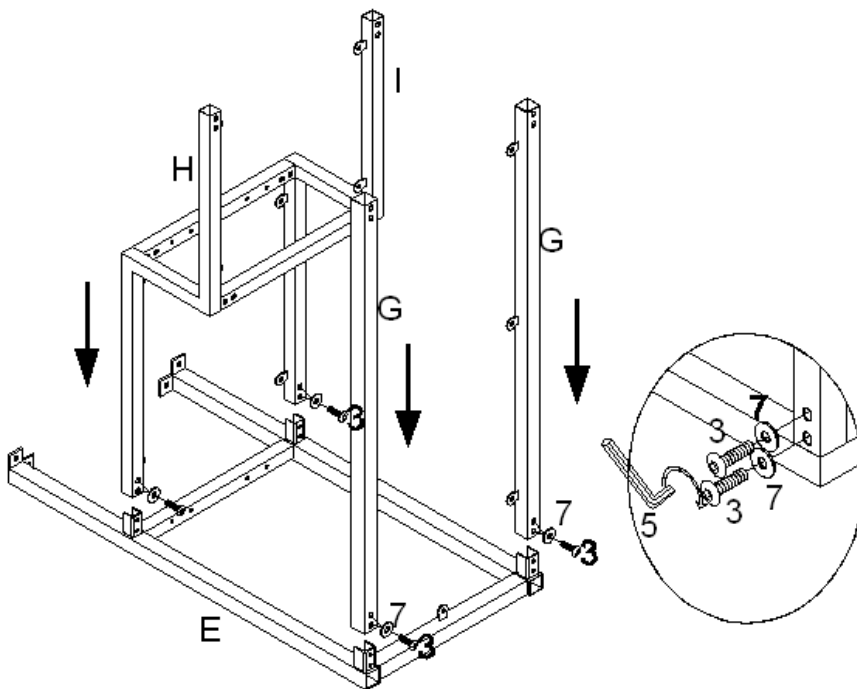
Unpack and lay parts on clean, padded surface like carpet or blanket. Check that you have all parts indicated on the front page

Attach front middle rail (**H**) to upper middle rail (**J**) & lower middle rail (**K**) using bolts (**3**) and flat washers (**7**).

Tighten bolts using Allen wrench (**5**).

Repeat above steps to attach back middle rail (**I**) to upper middle rail (**J**) & lower middle rail (**K**).

Figure 1

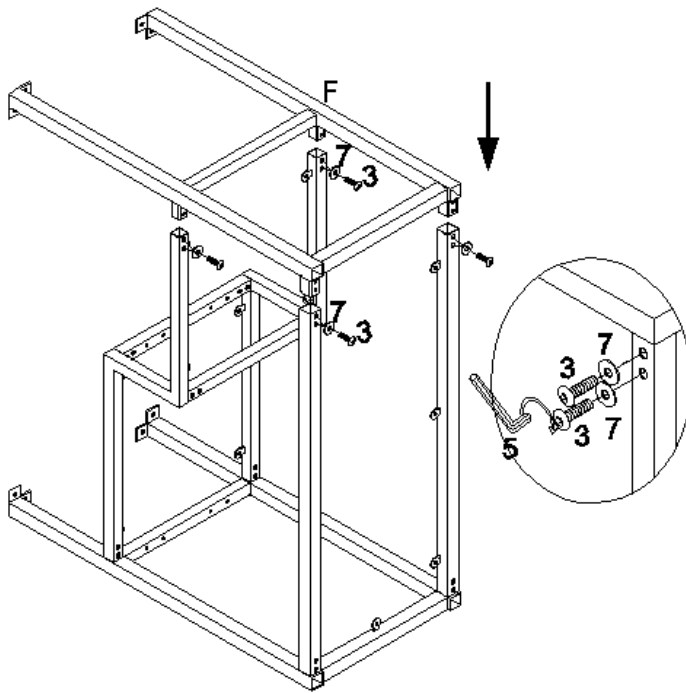


Attach pre-assembled unit from Figure **1** to left leg (**E**) using bolts (**3**) & flat washers (**7**).

Attach bottom rails (**G**) to left leg by using bolts (**3**) & flat washers (**7**).

Tighten all bolts using Allen wrench (**5**).

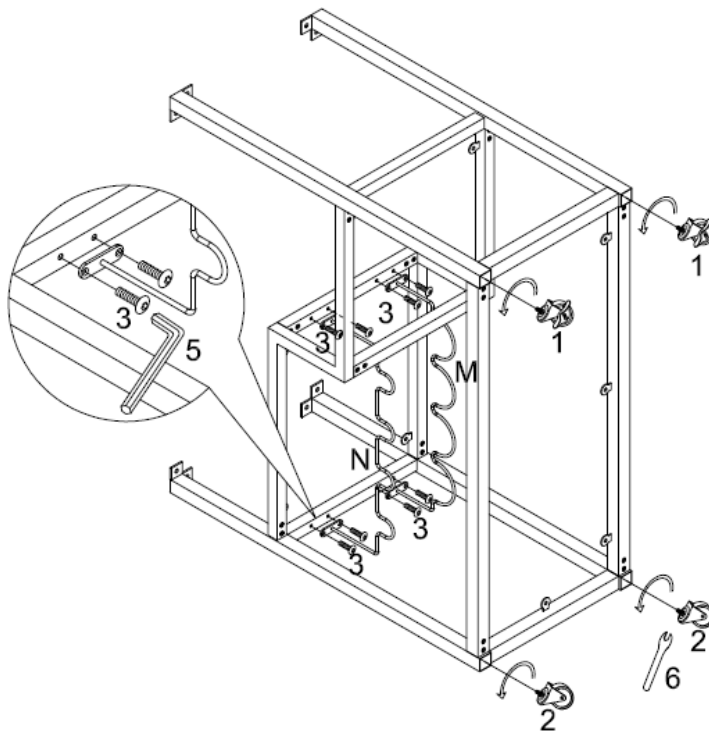
Figure 2



Attach right leg (**F**) to bottom rail (**G**) and pre-assembled unit from Figure 2 using bolts (**3**) & flat washers (**7**).

Tighten all bolts using Allen wrench (**5**).

Figure 3



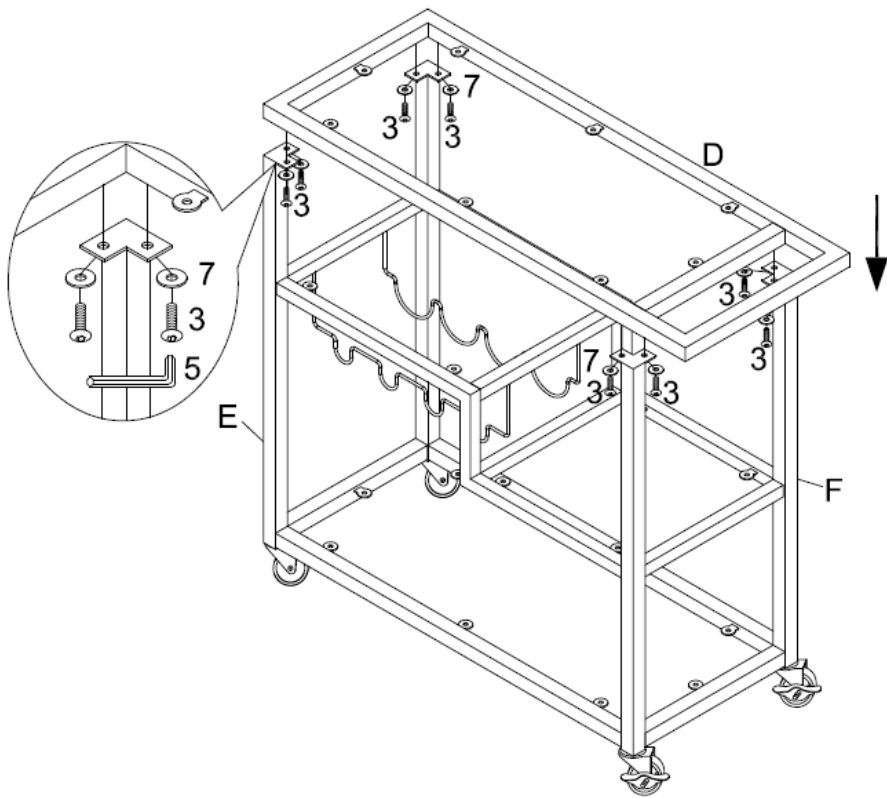
Attach Wine holder back frame (**M**) and wine holder front frame (**N**) to pre-assembled unit from Figure 3 using bolts (**3**).

Tighten bolts (**3**) using Allen wrench (**5**).

Attach casters with locks (**1**) & casters without locks (**2**) to the bottom of pre-assembled unit from Figure 3.

Tighten casters with crescent wrench (**6**).

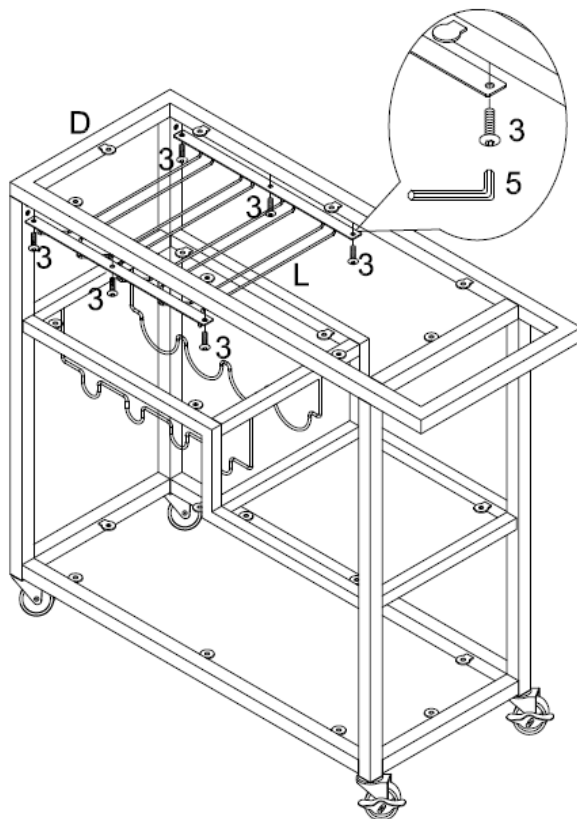
Figure 4



Attach top frame (**D**) to pre-assembled unit from Figure 4 using bolts (**3**) & flat washers (**7**).

Tighten all bolts using Allen wrench (**5**).

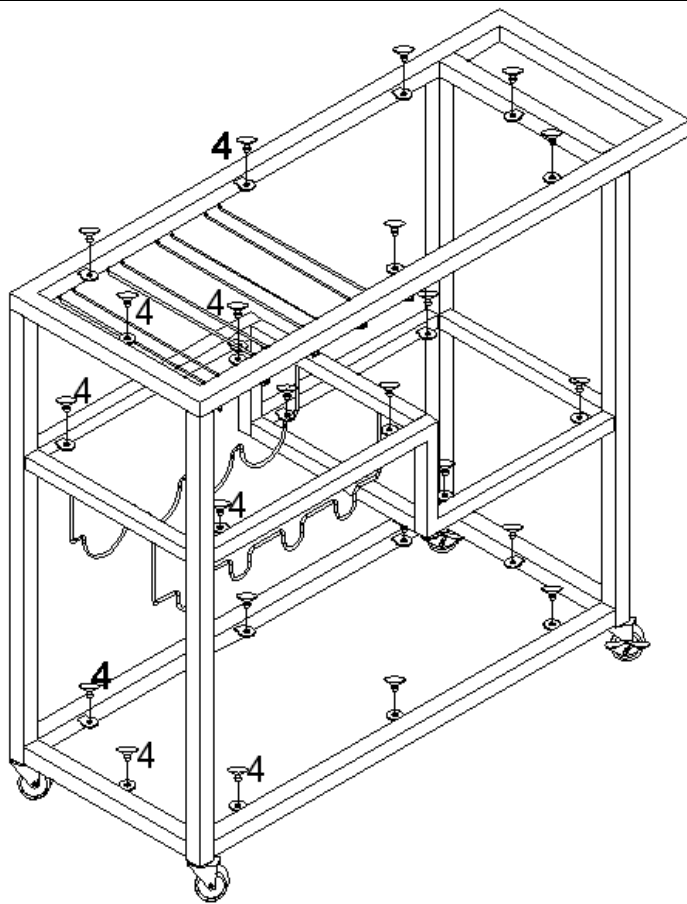
Figure 5



Attach stemware rack (**L**) to pre-assembled unit from Figure 5 using bolts (**3**).

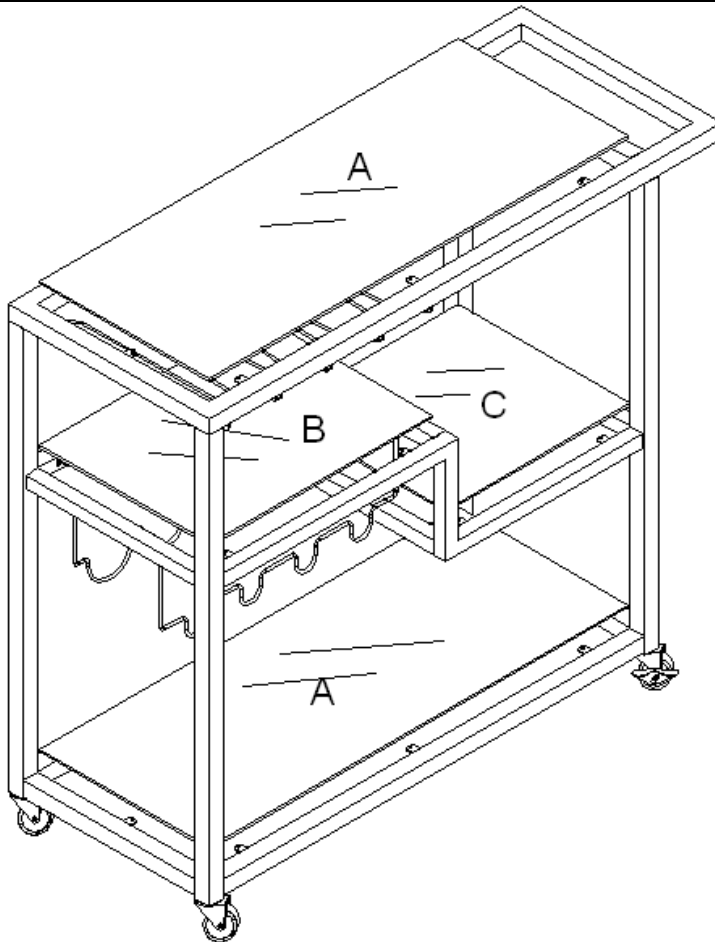
Tighten bolts using Allen wrench (**5**).

Figure 6



Insert and push glass pads (4) into top frame and shelf frames by hand.

Figure 7



Put top/bottom glasses (A) & shelf glasses (B/C) into pre-assembled from Figure 7.

Now your Zephs Bar Cart is ready to use.

Each shelf supports up to 40 lbs.

Each wine bottle holder supports up to 5 lbs.

Figure 8

Parts Replacement Form

Customer Information

Name _____

Address _____

City/State/Zip Code _____

Phone Number _____

Please indicate where you purchased this item: Store/Website/Catalog

Please indicate color/size/style number:

Style No	Parts Letter	Parts Description	Quantity Needed
----------	--------------	-------------------	-----------------

Please immediately examine this product carefully. Any request for missing parts or damage replacement must be received within 90 days of your receipt of the product. Replacement, if available, will be honored within this time frame. Parts will not be available for items arriving fully assembled. We do not recommend modifying product(s) and we are not responsible for any damages due to product modification(s). If damages or missing parts are not reported within 90 days of your receipt, we are under no obligation to provide parts or replacement merchandise.

Please contact Southern Enterprises at 800-633-5096 or in Dallas 972-869-0111/ 9am – 4pm Mon-Fri Central time if you have product issues or email us at service@seidal.com. Please ask for customer service representative for issues involving damages or replacement parts. Please ask for technical assistance representative for any issues with product and assembly/construction.

Please contact the retailer that you purchased from for returns.



Holly & Martin® a valued brand of SEI
Customer Service [1-800-633-5096](tel:1-800-633-5096)
service@hollyandmartin.com
www.hollyandmartin.com