

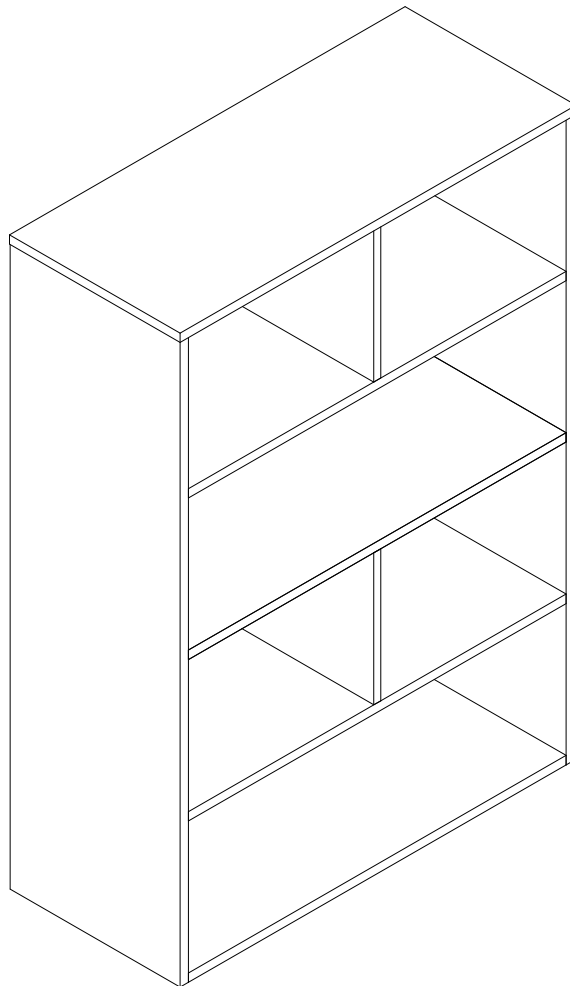
HZ640400TX

Haza Shelf  
Assembly Instructions



Holly & Martin® a valued brand of SEI  
Customer Service [1-800-633-5096](tel:1-800-633-5096)  
[service@hollyandmartin.com](mailto:service@hollyandmartin.com)  
[www.hollyandmartin.com](http://www.hollyandmartin.com)

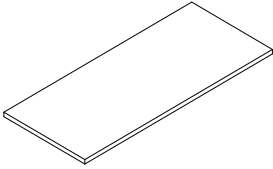
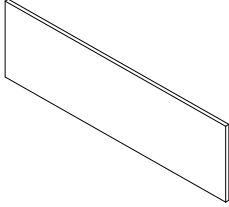
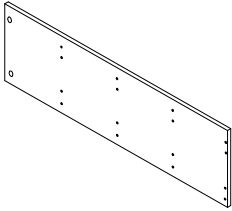
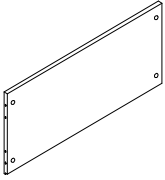
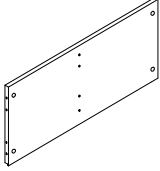
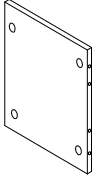
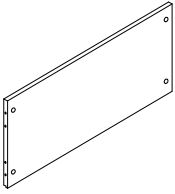
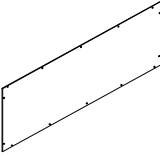


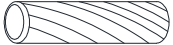
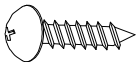

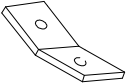
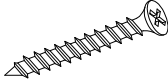
PO#:


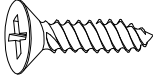



# Haza Shelf

## Parts List

Please check packaging for all parts and hardware before discarding. Unpack and lay parts on clean, padded surface like carpet or a blanket. Check that you have all parts indicated. Call customer service if any hardware is missing. Before beginning assembly, carefully study the diagrams below and sort your hardware according to the pictures. Using the incorrect hardware will cause damage.

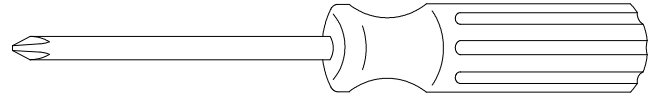
<p><b>1)</b> Quantity of 1</p>  <p>Top Panel</p>	<p><b>2)</b> Quantity of 1</p>  <p>Left Side Panel</p>	<p><b>3)</b> Quantity of 1</p>  <p>Right Side Panel</p>
<p><b>4)</b> Quantity of 2</p>  <p>Shelf Panel</p>	<p><b>5)</b> Quantity of 1</p>  <p>Middle Shelf Panel</p>	<p><b>6)</b> Quantity of 2</p>  <p>Middle Panel</p>
<p><b>7)</b> Quantity of 1</p>  <p>Bottom Panel</p>	<p><b>8)</b> Quantity of 2</p>  <p>Back Panel</p>	<p><b>A)</b> Quantity of 28</p>  <p>Cam Bolt</p>
<p><b>B)</b> Quantity of 28</p>  <p>Cam Lock</p>	<p><b>C)</b> Quantity of 28</p>  <p>Wood Dowel Dia. 5/16" x1-1/4"</p>	<p><b>D)</b> Quantity of 28</p>  <p>Screw Dia. 1/8" x 1/2"L</p>
<p><b>E)</b> Quantity of 2</p>  <p>Plastic Strap</p>	<p><b>F)</b> Quantity of 4</p>  <p>Bracket</p>	<p><b>G)</b> Quantity of 2</p>  <p>Screws Dia. 1/8"x1-1/2"L</p>

<p><b>H)</b> Quantity of 2</p>  <p>Anchor</p>	<p><b>I)</b> Quantity of 2</p>  <p>Screws Dia. 1/8"x5/8"L</p>	<p><b>J)</b> Quantity of 12</p>  <p>Adhesive Pad</p>
--	--	---

**Care and Cleaning Instructions:**  
 Before using, wipe with a clean, dry cloth. Avoid rubbing or scratching the surface with rough or abrasive objects.

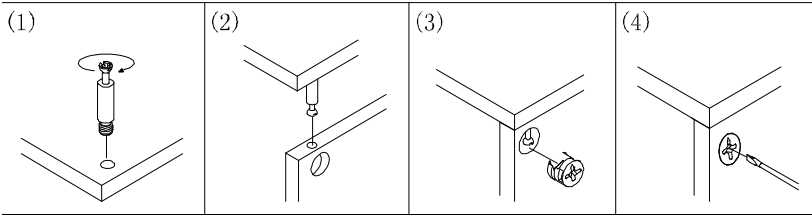
For replacement parts or questions, please call SEI Customer Service at 1-800-633-5096.

**Assembly Tools Required:**  
 No.2 Phillips Screwdriver, Hammer, Electric Drill  
 (Not Included)



# Haza Shelf

## Assembly Instructions



Do not overtighten cam bolts. Stop when they feel secure.

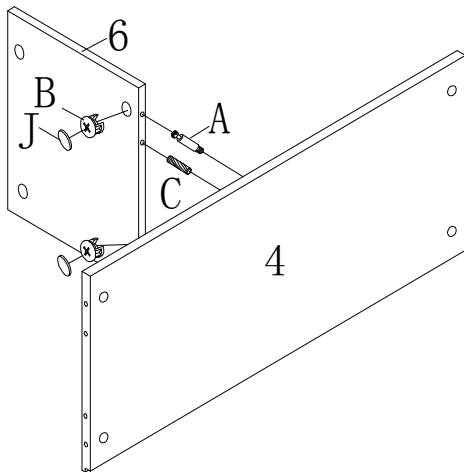


Figure 1

Align Cam Bolts **(A)** by hand.

Insert Cam Locks **(B)** into corresponding holes on Middle Panel **(6)**.

Screw Cam Bolts **(A)** into threaded holes on Shelf Panel **(4)**.

Attach Shelf Panel **(4)** to Middle Panel **(6)** by inserting Cam Bolts **(A)** and Wood Dowels **(C)** into corresponding holes until all panels meet.

Tighten Cam Bolts **(A)** by rotating Cam Locks **(B)** clockwise using Phillips screwdriver (not included).

Cover Cam Locks **(B)** with Adhesive Pads **(J)**.

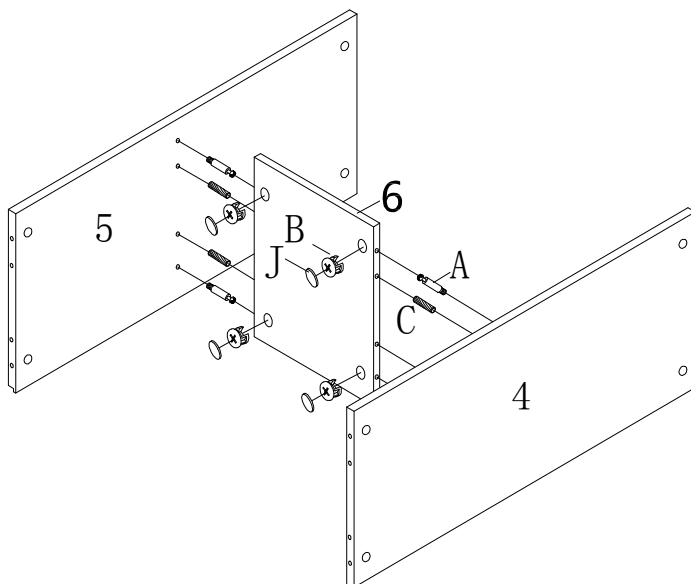


Figure 2

Align Cam Bolts **(A)** by hand.

Insert Cam Locks **(B)** into corresponding holes on Middle Panel **(6)**.

Screw Cam Bolts **(A)** into threaded holes on Shelf Panels **(4/5)**.

Attach Shelf Panels **(4/5)** to Middle Panel **(6)** by inserting Cam Bolts **(A)** and Wood Dowels **(C)** into corresponding holes until all panels meet.

Tighten Cam Bolts **(A)** by rotating Cam Locks **(B)** clockwise using Phillips screwdriver (not included).

Cover Cam Locks **(B)** with Adhesive Pads **(J)**.

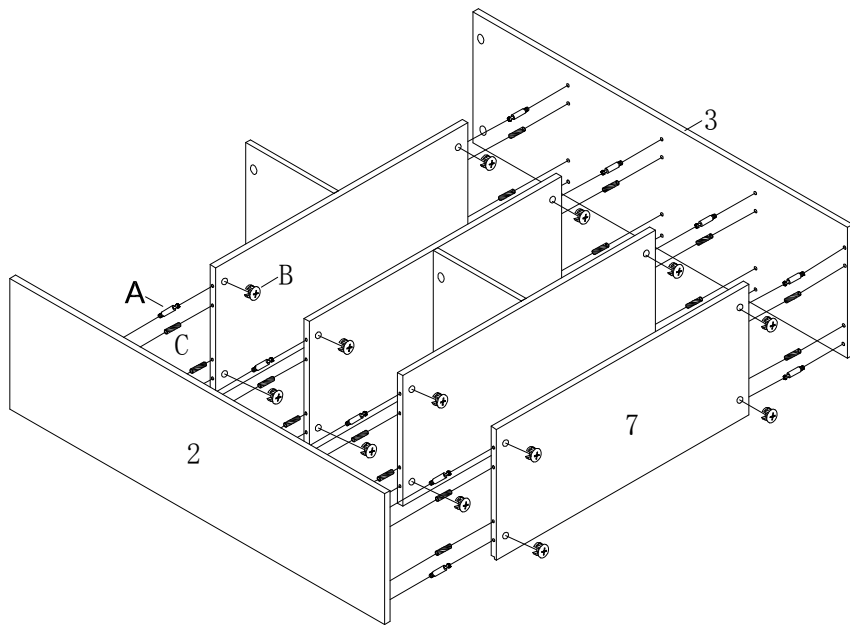


Figure 3

Align Cam Bolts **(A)** by hand.

Insert Cam Locks **(B)** into corresponding holes on Shelf Panels **(4/5)** & Bottom Panel **(7)**.

Screw Cam Bolts **(A)** into threaded holes on Side Panels **(2/3)**.

Attach Side Panels **(2/3)** to Shelf Panels **(4/5)** & Bottom Panel **(7)** by inserting Cam Bolts **(A)** and Wood Dowels **(C)** into corresponding holes until all panels meet.

Tighten Cam Bolts **(A)** by rotating Cam Locks **(B)** clockwise using Phillips screwdriver (not included).

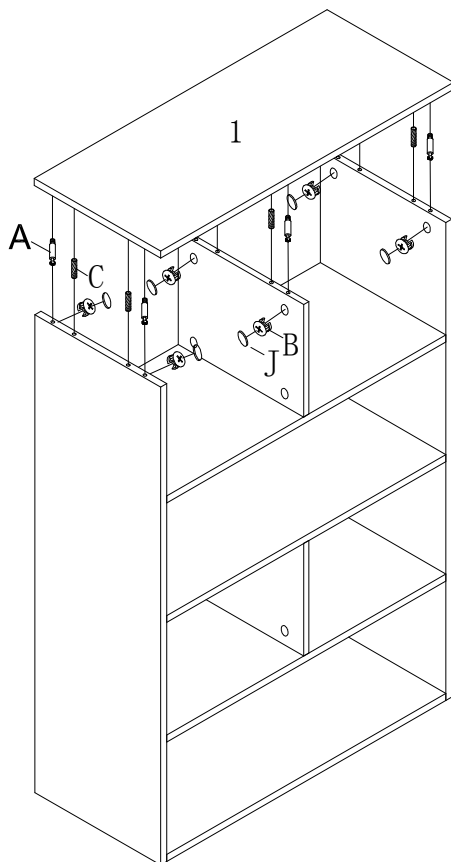


Figure 4

Align Cam Bolts **(A)** by hand.

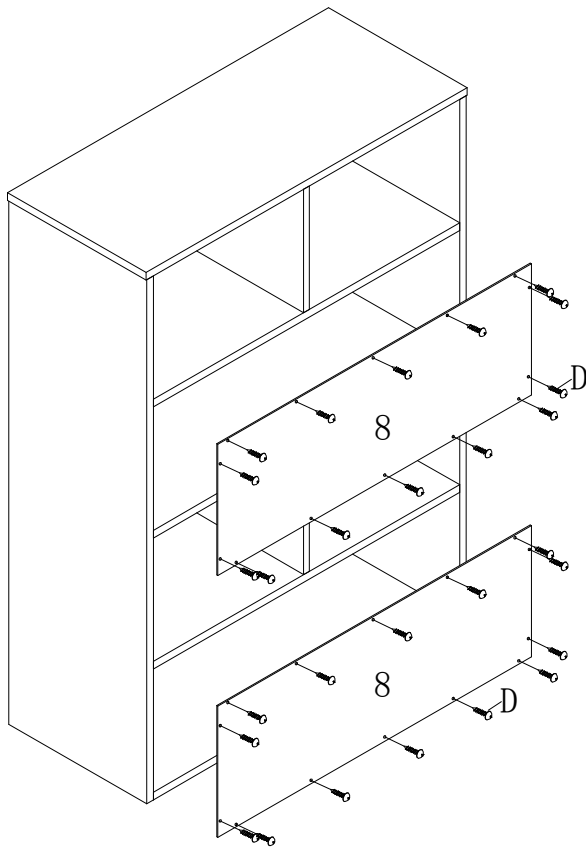
Insert Cam Locks **(B)** into corresponding holes on Side Panels **(2/3)** & Middle Panel **(6)**.

Screw Cam Bolts **(A)** into threaded holes on Top Panel **(1)**.

Attach Top Panel **(1)** to Side Panels **(2/3)** & Middle Panel **(6)** by inserting Cam Bolts **(A)** and Wood Dowels **(C)** into corresponding holes until all panels meet.

Tighten Cam Bolts **(A)** by rotating Cam Locks **(B)** clockwise using Phillips screwdriver (not included).

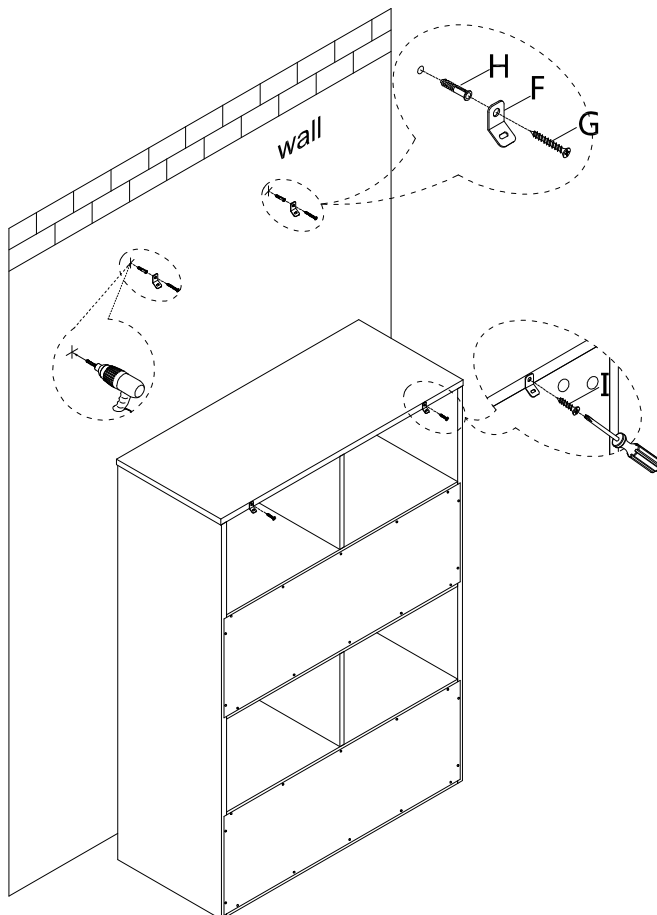
Cover Cam Locks **(B)** with Adhesive Pads **(J)**.



Attach Back Panels (**8**) to back of the unit with Screws (**D**).

Tighten Screws (**D**) with Phillips screwdriver (not included).

Figure 5



Attach Brackets (**F**) to assembled unit using Short Screws (**I**).

Tighten Screws (**I**) using a Philips screwdriver (not included).

Mark two desired locations on wall.

Drill two 3/16" holes.

Insert plastic anchors (**H**) into the 2 holes, tap lightly with a hammer (no included) as needed.

Attach the Brackets (**F**) to wall using Long Screws (**G**).

Tighten Screws (**G**) using a Philips Screwdriver (not included).

Figure 5

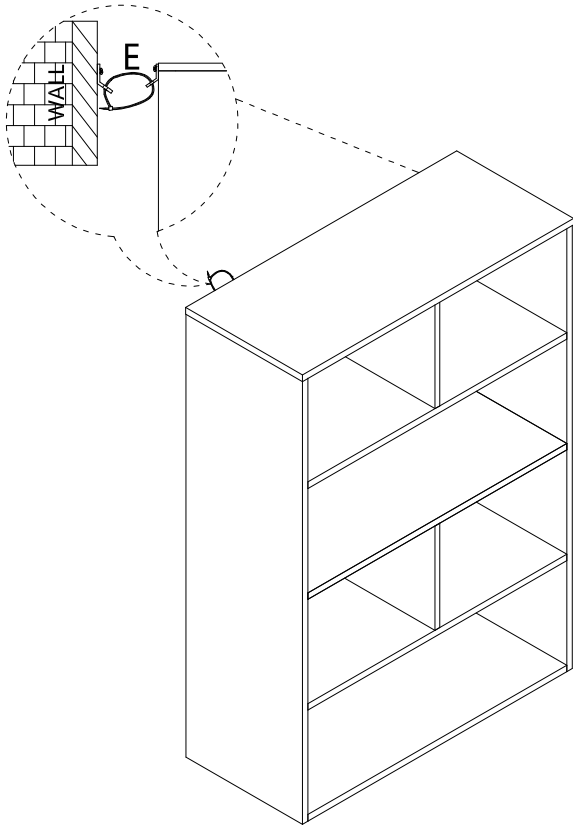


Figure 6

Tie brackets **(F)** together with plastic straps **(E)**.

Warning: Anti-tip hardware must be used for this product to avoid tipping and injury.

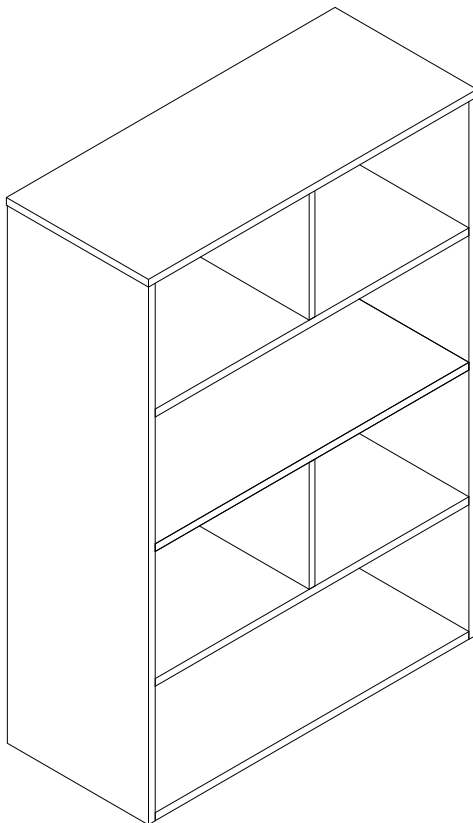


Figure 7

Now your Haza Shelf is ready to use.

# Parts Replacement Form

## Customer Information

Name \_\_\_\_\_

Address \_\_\_\_\_

City/State/Zip Code \_\_\_\_\_

Phone Number \_\_\_\_\_

Please indicate where you purchased this item: Store/Website/Catalog

\_\_\_\_\_

Please indicate color/size/style number:

\_\_\_\_\_

Style No	Parts Letter	Parts Description	Quantity Needed
_____	_____	_____	_____
_____	_____	_____	_____
_____	_____	_____	_____

Please immediately examine this product carefully. Any request for missing parts or damage replacement must be received within 90 days of your receipt of the product. Replacement, if available, will be honored within this time frame. Parts will not be available for items arriving fully assembled. We do not recommend modifying product(s) and we are not responsible for any damages due to product modification(s). If damages or missing parts are not reported within 90 days of your receipt, we are under no obligation to provide parts or replacement merchandise.

For product issues, please contact Southern Enterprises at 800-633-5096 (toll-free) / 972-869-0111 (Dallas) Mon-Fri 9am – 4pm CST, or email us at [service@seidal.com](mailto:service@seidal.com). Please ask for customer service representative for issues involving damages or replacement parts. Please ask for technical assistance representative for any issues with product and assembly/construction.

Please contact the retailer that you purchased from for returns.



Customer Service [1-800-633-5096](tel:1-800-633-5096)  
[service@hollyandmartin.com](mailto:service@hollyandmartin.com)  
[www.hollyandmartin.com](http://www.hollyandmartin.com)  
600 Freeport Parkway, Suite 200  
Coppell, Texas 75019