

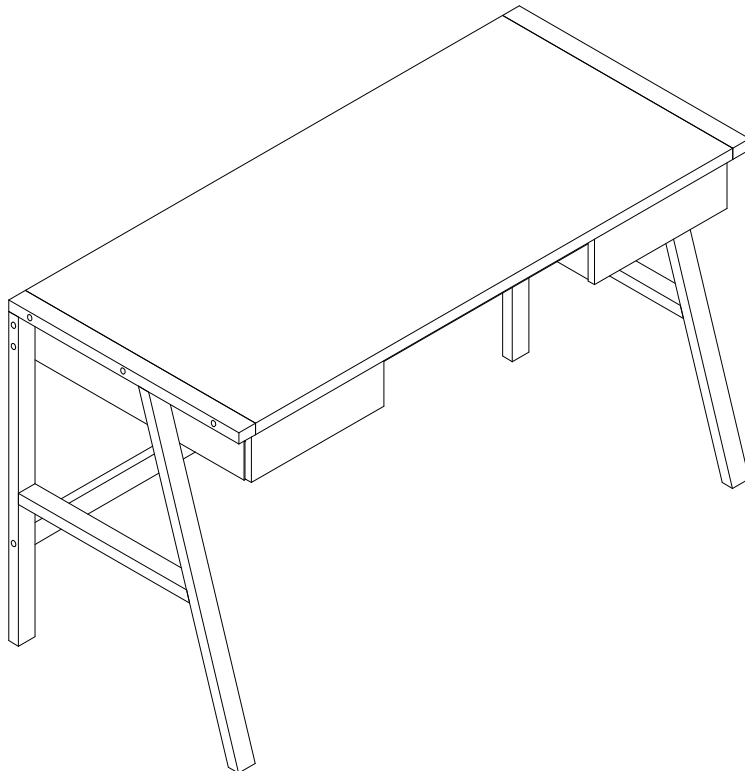
HO730300TX

Hobbs Desk
Assembly Instructions



Holly & Martin® a valued brand of SEI
Customer Service [1-800-633-5096](tel:1-800-633-5096)
service@hollyandmartin.com
www.hollyandmartin.com

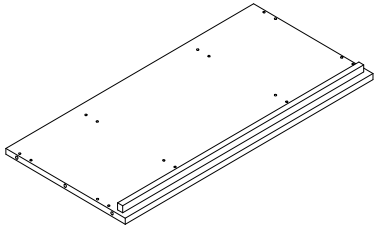
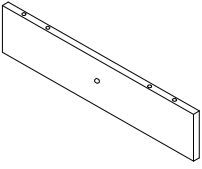
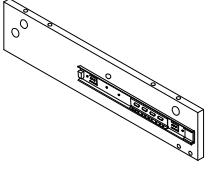
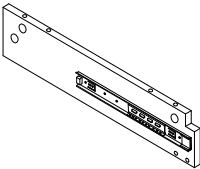
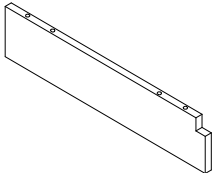
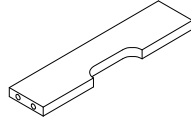
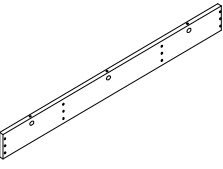
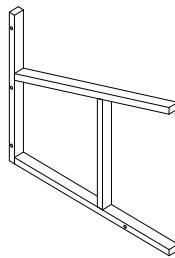
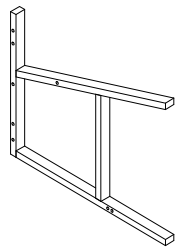
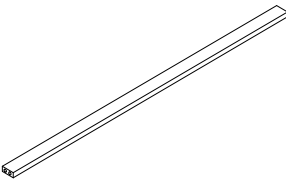
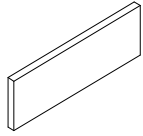
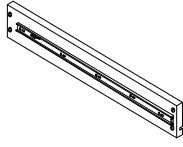
PO#:

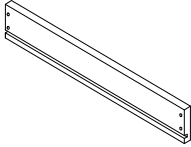
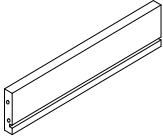
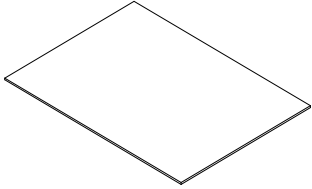


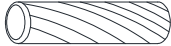



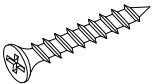
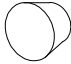


Hobbs Desk

Parts List

Please check packaging for all parts and hardware before discarding. Unpack and lay parts on clean, padded surface like carpet or a blanket. Check that you have all parts indicated. Call customer service if any hardware is missing. Before beginning assembly, carefully study the diagrams below and sort your hardware according to the pictures. Using the incorrect hardware will cause damage.

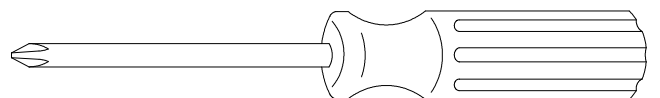
1)  Quantity of 1 Top Panel	2)  Quantity of 1 Left Side Panel	3)  Quantity of 1 Right Side Panel
4)  Quantity of 1 Left Middle Panel	5)  Quantity of 1 Right Middle Panel	6)  Quantity of 2 Cross Panel
7)  Quantity of 1 Back Panel	8)  Quantity of 1 Left Side Frame	9)  Quantity of 1 Right Side Frame
10)  Quantity of 1 Back Cross Panel	11)  Quantity of 2 Drawer Front Panel	12)  Quantity of 2 Drawer Left Side Panel

13) Quantity of 2  Drawer Right Side Panel	14) Quantity of 2  Drawer Back Panel	15) Quantity of 2  Drawer Bottom Panel
A) Quantity of 19  Cam Bolt	B) Quantity of 19  Cam Lock	C) Quantity of 24  Wood Dowel Dia. 5/16" x1-1/4"
D) Quantity of 12  Bolt Dia. 1/4x2" L	E) Quantity of 1  Allen Wrench	F) Quantity of 2  Bolt Dia. 1/4x1-1/4" L
G) Quantity of 16  Screw Dia. 5/32" x 1L	H) Quantity of 12  Wood Cap	

Care and Cleaning Instructions:
 Before using, wipe with a clean, dry cloth.
 Periodically apply furniture wax to renew the finish. Avoid rubbing or scratching the surface with rough or abrasive objects.

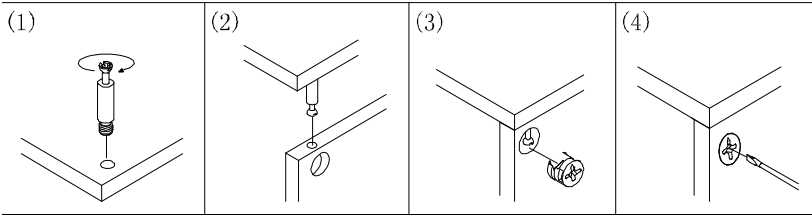
For replacement parts or questions, please call Customer Service at 1-800-633-5096.

Assembly Tool Required
No.2 Phillips Screwdriver
(Not Included)



Hobbs Desk

Assembly Instructions



Please do not overtighten cam locks. Stop when they feel secure.

Insert Cam Locks **(B)** into corresponding holes on Cross Panel **(6)**.

Screw Cam Bolts **(A)** into threaded holes on Side Panels **(2/3)** and Middle Panels **(4/5)**.

Attach Side Panels **(2/3)** and Middle Panels **(4/5)** to Cross Panel **(6)** by inserting Cam Bolts **(A)** and Wood Dowels **(C)** into corresponding holes until all panels meet.

Tighten Cam Bolts **(A)** by rotating Cam Locks **(B)** clockwise using Phillips screwdriver (not included).

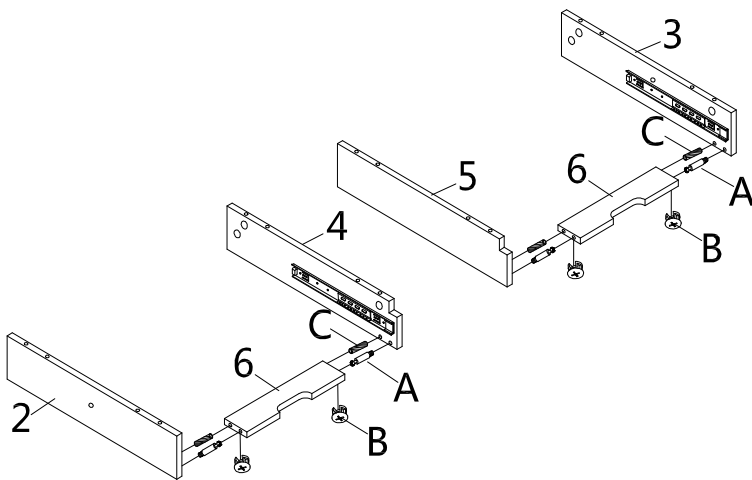
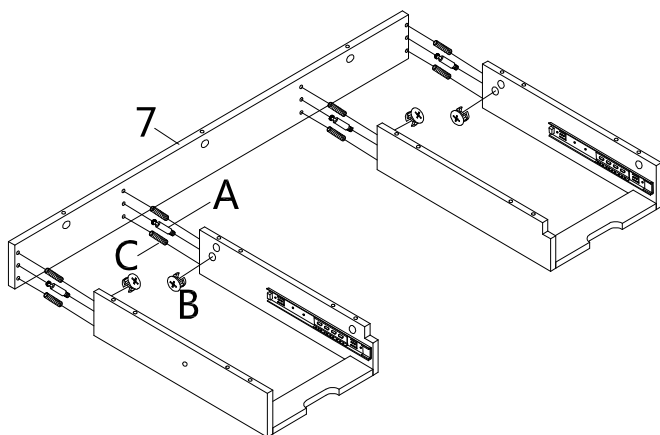


Figure 1



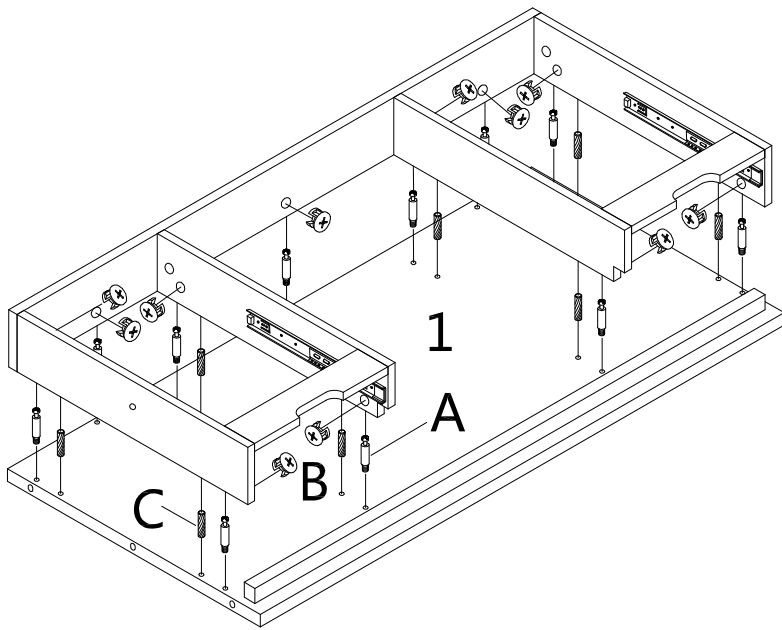
Insert Cam Locks **(B)** into corresponding holes on pre-assembled unit from Figure 1.

Screw Cam Bolts **(A)** into threaded holes on Back Panel **(7)**.

Attach Back Panel **(7)** to pre-assembled unit from figure 1 by inserting Cam Bolts **(A)** and Wood Dowels **(C)** into corresponding holes until all panels meet.

Tighten Cam Bolts **(A)** by rotating Cam Locks **(B)** clockwise using Phillips screwdriver (not included).

Figure 2



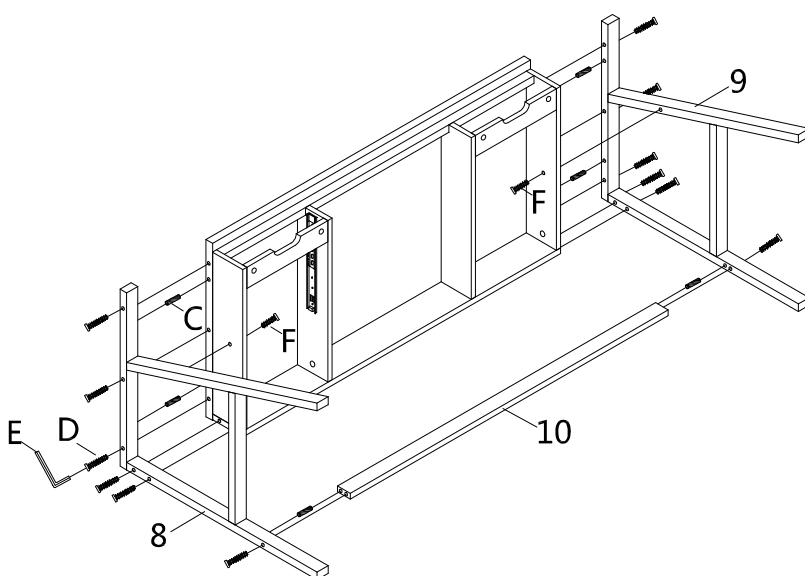
Insert Cam Locks **(B)** into corresponding holes on pre-assembled unit from Figure 2.

Screw Cam Bolts **(A)** into threaded holes on Top Panel **(1)**.

Attach Top Panel **(1)** to pre-assembled unit from Figure 2 by inserting Cam Bolts **(A)** and Wood Dowels **(C)** into corresponding holes until all panels meet.

Tighten Cam Bolts **(A)** by rotating Cam Locks **(B)** clockwise using Phillips screwdriver (not included).

Figure 3



Attach the Side Frames **(8/9)** to pre-assembled unit from Figure 3 and Back Cross Panel **(10)** with Bolts **(D/F)**.

Tighten bolts with Allen Wrench **(E)**.

Figure 4

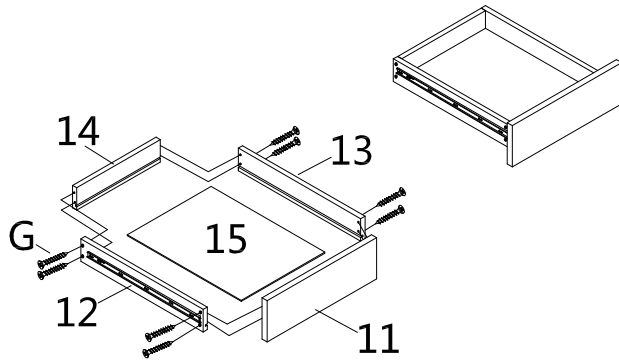


Figure 5

Attach Drawer Side Panels (**12/13**) to Drawer Back Panel (**14**) using Screws (**G**).

Insert Drawer Bottom Panel (**15**) into grooves of Panels (**12/13/14**).

Attach Drawer Front Panel (**11**) to assembled unit using Screws (**G**).

Tighten Bolts and Screws with Phillips screwdriver.

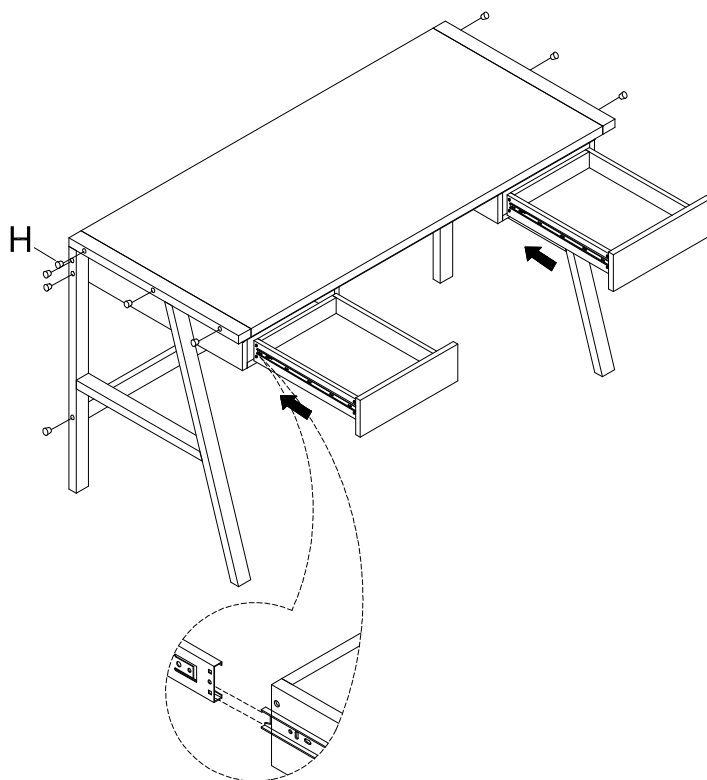


Figure 6

Insert drawer into assembled unit.

Make sure drawer slides glide smoothly in and out.

Note: There is a lever located on male slide for bottom drawer slide. Push lever to either side in order to detach male slide from female slide.

Cover holes on legs with Wood Plugs (**H**).

Now your Hobbs Desk is ready to use.

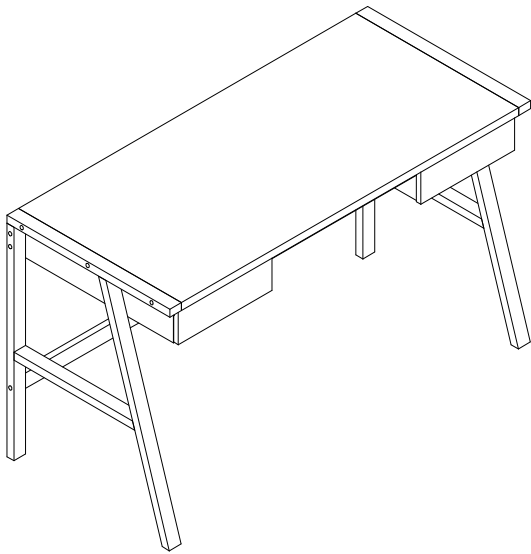


Figure 7

Parts Replacement Form

Customer Information

Name _____

Address _____

City/State/Zip Code _____

Phone Number _____

Please indicate where you purchased this item: Store/Website/Catalog

Please indicate color/size/style number:

Style No	Parts Letter	Parts Description	Quantity Needed
_____	_____	_____	_____
_____	_____	_____	_____
_____	_____	_____	_____

Please immediately examine this product carefully. Any request for missing parts or damage replacement must be received within 90 days of your receipt of the product. Replacement, if available, will be honored within this time frame. Parts will not be available for items arriving fully assembled. We do not recommend modifying product(s) and we are not responsible for any damages due to product modification(s). If damages or missing parts are not reported within 90 days of your receipt, we are under no obligation to provide parts or replacement merchandise.

For product issues, please contact Southern Enterprises at 800-633-5096 (toll-free) / 972-869-0111 (Dallas) Mon-Fri 9am – 4pm CST, or email us at service@seidal.com. Please ask for customer service representative for issues involving damages or replacement parts. Please ask for technical assistance representative for any issues with product and assembly/construction.

Please contact the retailer that you purchased from for returns.



Customer Service [1-800-633-5096](tel:1-800-633-5096)
service@hollyandmartin.com
www.hollyandmartin.com
600 Freeport Parkway, Suite 200
Coppell, Texas 75019