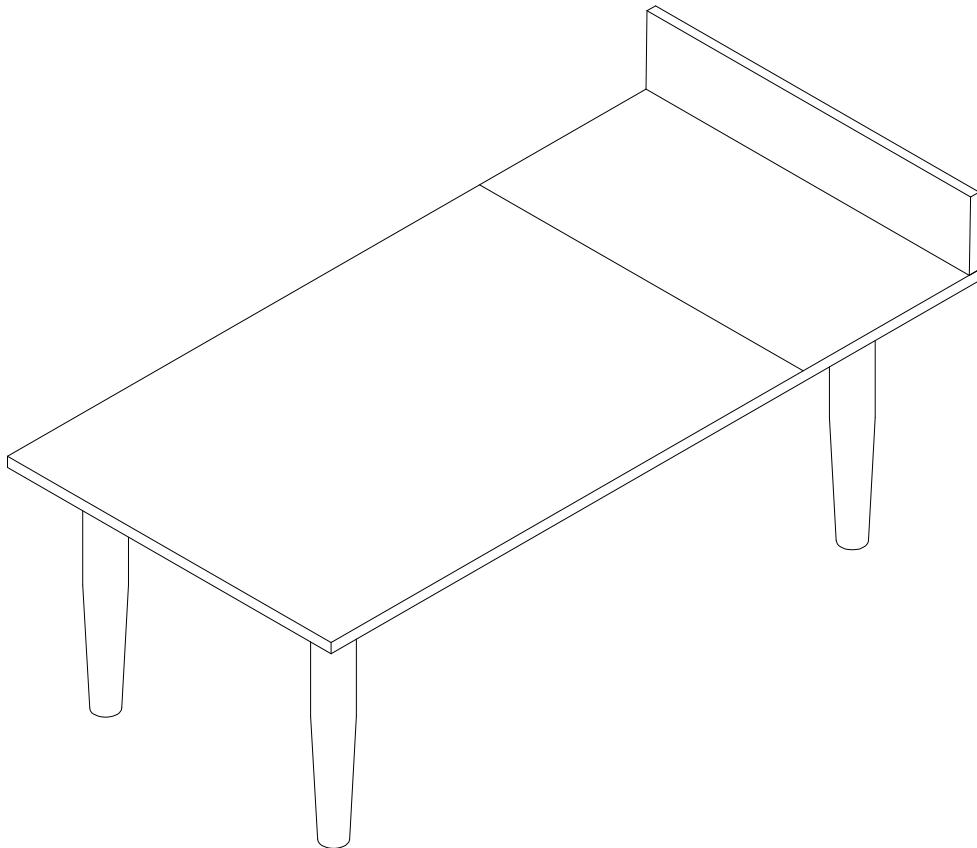


**CK769000TX**  
**Kency Cocktail**  
**Assembly**  
**Instructions**

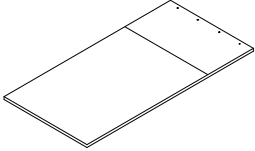
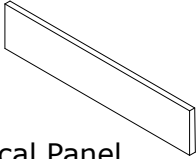
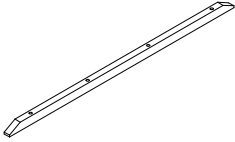
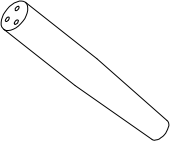
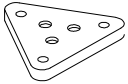
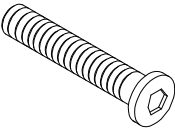
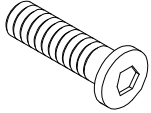

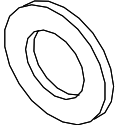

**HOLLY & MARTIN®**  
FUNCTION • MEETS • STYLE 

Holly & Martin® a valued brand of SEI  
Customer Service: [1-800-633-5096](tel:1-800-633-5096)  
[service@hollyandmartin.com](mailto:service@hollyandmartin.com)  
[www.hollyandmartin.com](http://www.hollyandmartin.com)



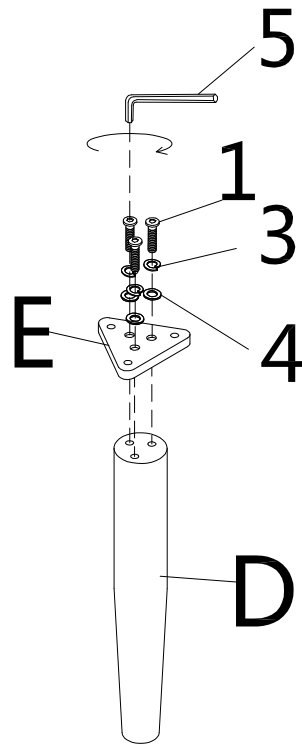
# Kency Cocktail Parts List

Please check packaging for all parts and hardware before discarding. Unpack and lay parts on clean, padded surface like carpet or a blanket. Check that you have all parts indicated. Call customer service if any hardware is missing. Before beginning assembly, carefully study the diagrams below and sort your hardware according to the pictures. Using the incorrect hardware will cause damage

<b>A.</b> Quantity of 1  Top Panel	<b>B.</b> Quantity of 1  Vertical Panel	<b>C.</b> Quantity of 1  Rail	<b>D.</b> Quantity of 4  Leg
<b>E.</b> Quantity of 4  Connect Panel			
<b>1.</b> Quantity of 20  Bolt 1/4*1-1/4"L		<b>2.</b> Quantity of 12  Bolt 1/4*7/8"L	
<b>3.</b> Quantity of 28  Spring Washer		<b>4.</b> Quantity of 28  Flat Washer 1/4*13mm	
<b>5.</b> Quantity of 1  Allen Wrench 4mm			
<b>Care and Cleaning Instructions:</b> Before using, wipe with a clean, dry cloth. Avoid rubbing or scratching the surface with rough or abrasive objects.		Call SEI customer service at 1-800-633-5096 for assistance, questions, or Parts.	

# Kency Cocktail

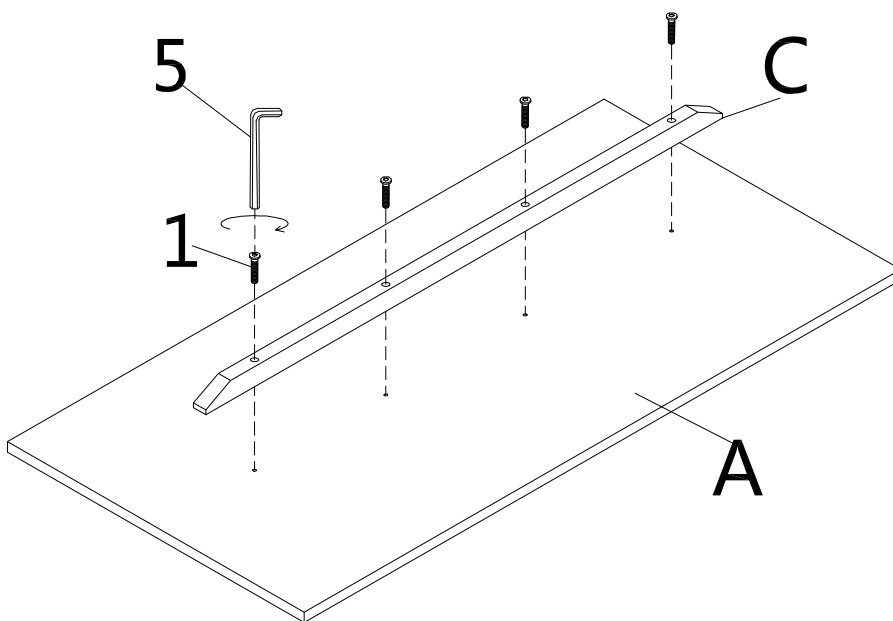
## Assembly Instructions



Attach Connect Panel **(E)** to Leg **(D)** with Bolts **(1)** and Washers **(3/4)**.

Tighten Bolts **(1)** with Allen Wrench **(5)**.

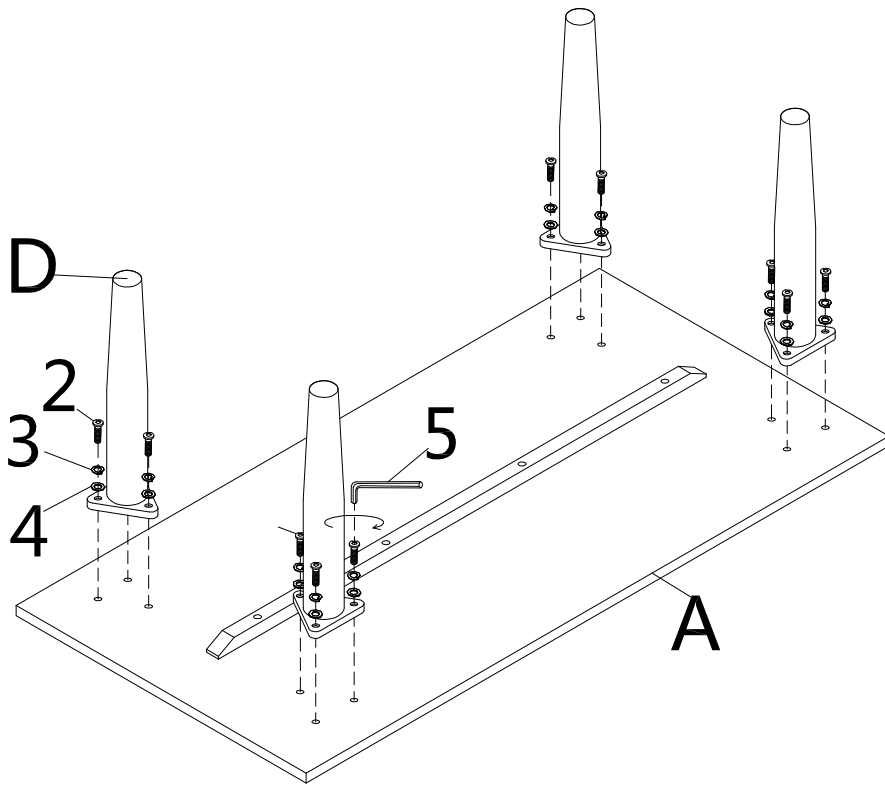
**Figure 1**



Attach Rail **(C)** to Top Panel **(A)** with Bolts **(1)**.

Tighten Bolts **(1)** with Allen Wrench **(5)**.

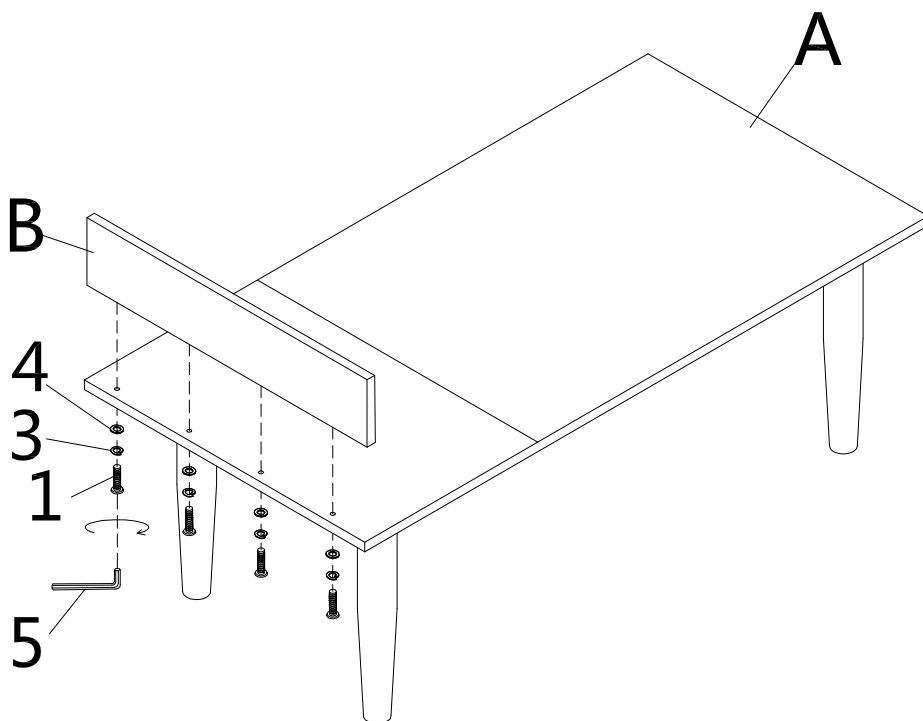
**Figure 2**



**Figure 3**

Attach pre-assembled unit from figure 1 to Top Panel (**A**) with Bolts (**2**) and Washers (**3/4**).

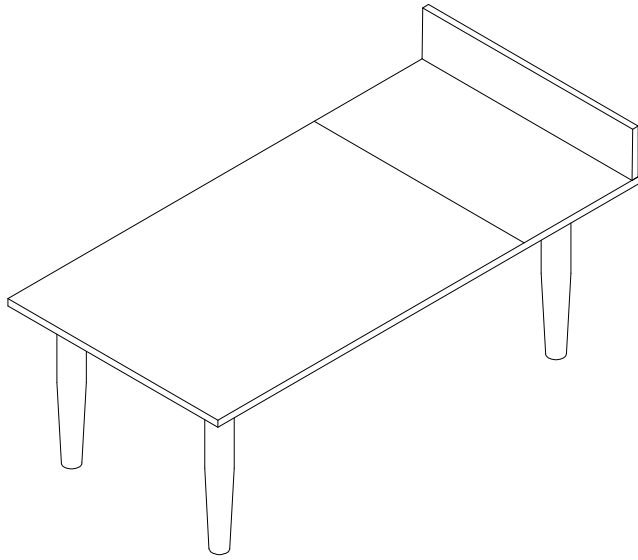
Tighten Bolts (**2**) with Allen Wrench (**5**).



**Figure 4**

Attach Vertical Panel (**B**) to Top Panel (**A**) with Bolts (**1**) and Washers (**3/4**).

Tighten Bolts (**1**) with Allen Wrench (**5**).



**Figure 5**

Now your Kency Cocktail is ready for use!

# Parts Replacement Form

## Customer Information

Name \_\_\_\_\_

Address \_\_\_\_\_

City/State/Zip Code \_\_\_\_\_

Phone Number \_\_\_\_\_

Please indicate where you purchased this item: Store/Website/Catalog

\_\_\_\_\_

Please indicate color/size/style number:

\_\_\_\_\_

Style No	Parts Letter	Parts Description	Quantity Needed
----------	--------------	-------------------	-----------------

\_\_\_\_\_

\_\_\_\_\_

\_\_\_\_\_

Please immediately examine this product carefully. Any request for missing parts or damage replacement must be received within 90 days of your receipt of the product. Replacement, if available, will be honored within this time frame. Parts will not be available for items arriving fully assembled. We do not recommend mowe are not responsible for any damages due to product modification(s). If damages or missing parts are not reported within 90 days of your receipt, we are under no obligation to provide parts or replacement merchandise.

Please contact Southern Enterprises at 800-633-5096 or in Dallas 972-869-0111/ 9am – 4pm Mon-Fri Central time if you have product issues or email us at [service@seidal.com](mailto:service@seidal.com). Please ask for customer service representative for issues involving damages or replacement parts. Please ask for technical assistance representative for any issues with product and assembly/construction.

Please contact the retailer that you purchased from for returns.



Holly & Martin®  
A valued brand of SEI  
Customer Service:

1-800-633-5096

[service@hollyandmartin.com](mailto:service@hollyandmartin.com)