

CK768300TX

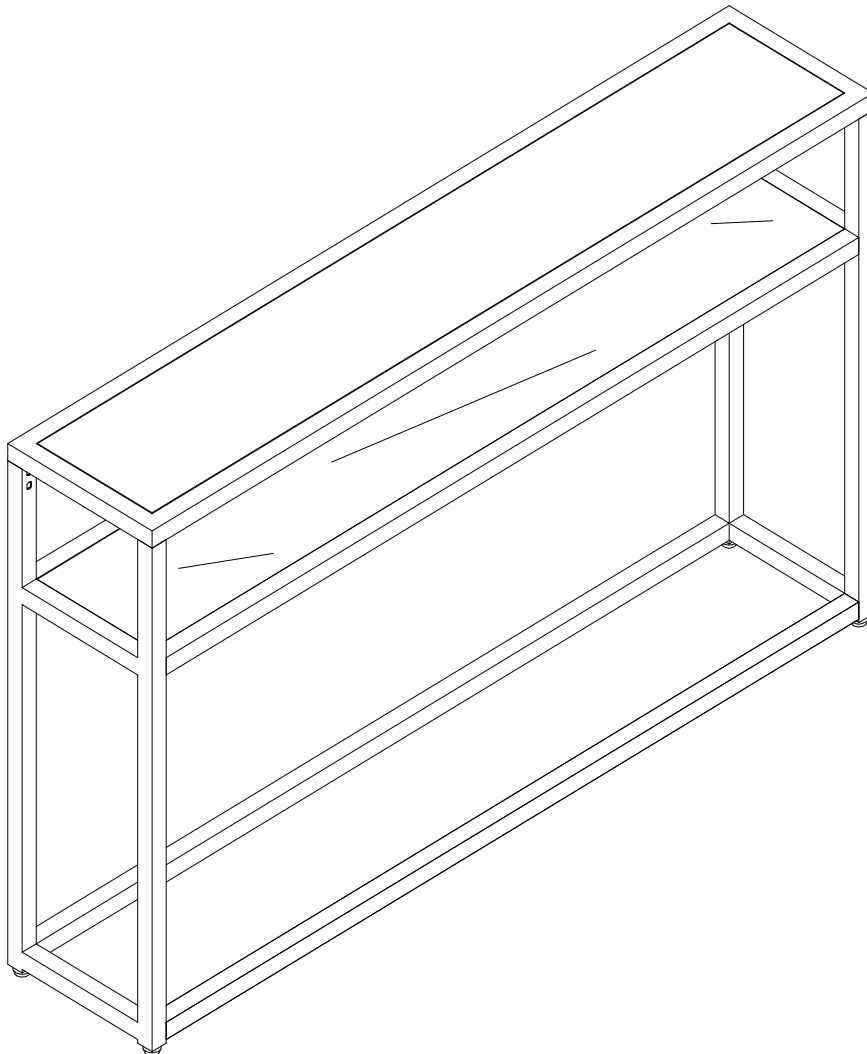
Baldrick Console

Assembly Instructions



Southern
ENTERPRISES

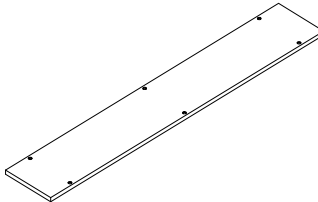
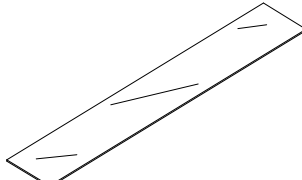
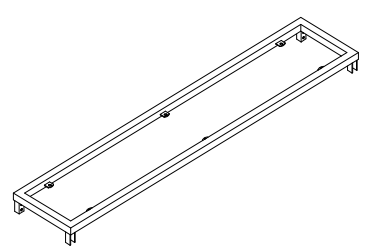
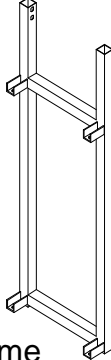
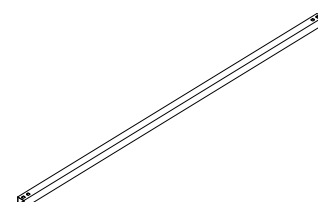
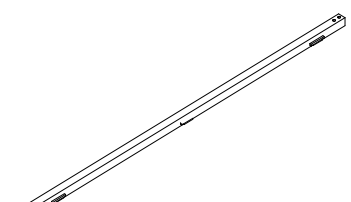
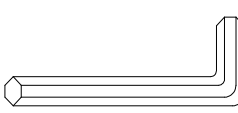
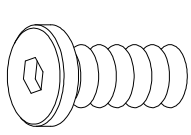
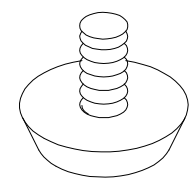
For assistance with assembly, contact:
Southern Enterprises Inc.
Customer Service 1-800-633-5096
service@seidal.com
www.seidal.com



Baldrick Console

Parts List

Please check packaging for all parts and hardware before discarding. Unpack and lay parts on clean, padded surface like carpet or blanket. Check that you have all parts indicated. Call customer service if hardware is missing. Before beginning assembly, carefully study the diagrams below and sort your hardware according to the pictures. Using the incorrect hardware will cause damage.

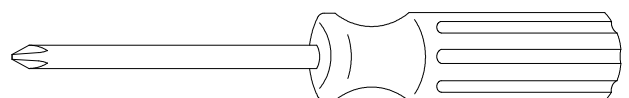
<p>A. Quantity of 1</p>  <p>Top Panel</p>	<p>B. Quantity of 1</p>  <p>Glass Shelf</p>	<p>C. Quantity of 1</p>  <p>Top Metal Frame</p>
<p>D. Quantity of 2</p>  <p>Side Metal Frame</p>	<p>E. Quantity of 2</p>  <p>Bottom Cross Bar</p>	<p>F. Quantity of 2</p>  <p>Shelf Cross Bar</p>
<p>1. Quantity of 1</p>  <p>Allen wrench</p>	<p>2. Quantity of 30</p>  <p>Bolt Dia 1/4"x1/2"L</p>	<p>3. Quantity of 4</p>  <p>Adjustable Level</p>

Care and Cleaning Instructions:

Before using, wipe with a clean, dry cloth. Periodically apply furniture wax to renew the finish. Avoid rubbing or scratching the surface with rough or abrasive objects.

For replacement parts or questions, please call customer service at 1-800-633-5096.

Assembly Tool Required No.2 Phillips Screwdriver (Not Included)



Baldrick Console

Assembly Instructions

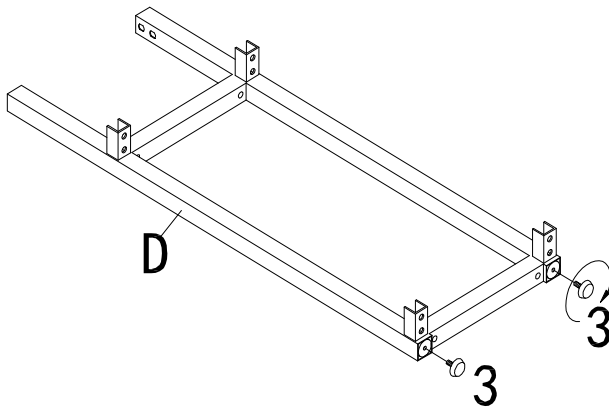


Figure 1

Screw the Adjustable Levels **(3)** to the bottom of both Side Metal Frames **(B)**.

Rotate the Adjustable Levels **(3)** clockwise by hand.

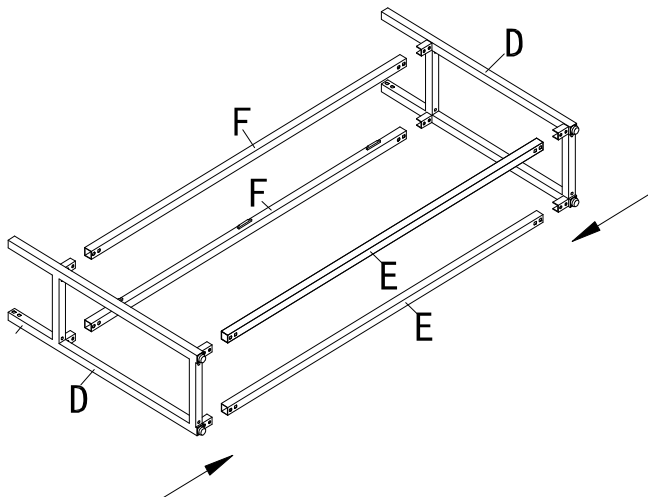


Figure 2

Attach the Side Metal Frames **(D)** to Bottom Cross Bars **(E)** and Shelf Cross Bars **(F)** assuring the holes for the bolts align.

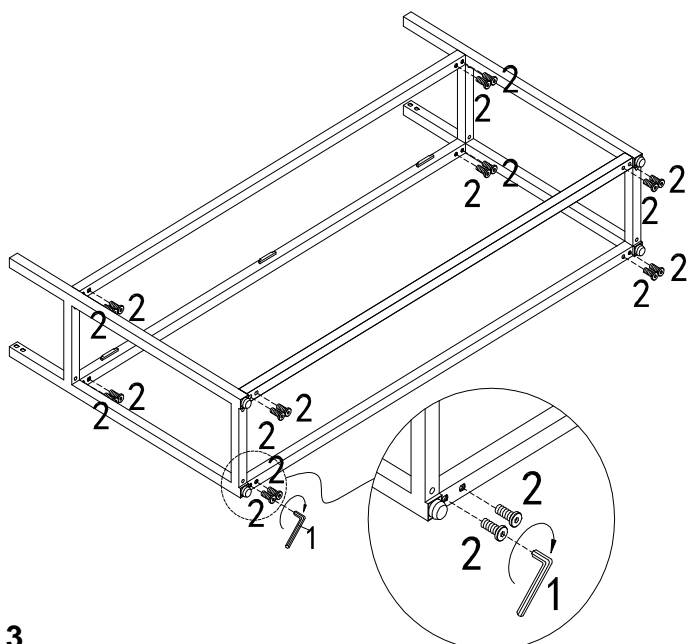


Figure 3

Screw Bolts **(2)** to assembled unit to secure frames in place.

Tighten bolts with Allen Wrench **(1)** as Figure 3 shows.

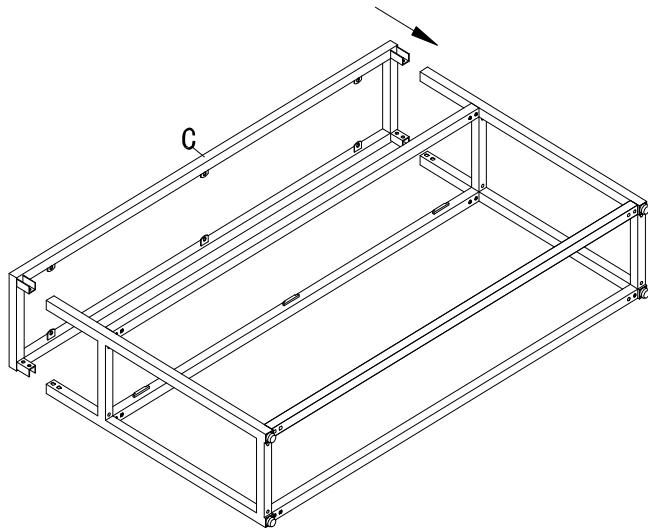


Figure 4

Attach the Top Metal Frame (**C**) into grooves on the top of assembled unit as Figure 4 shows.

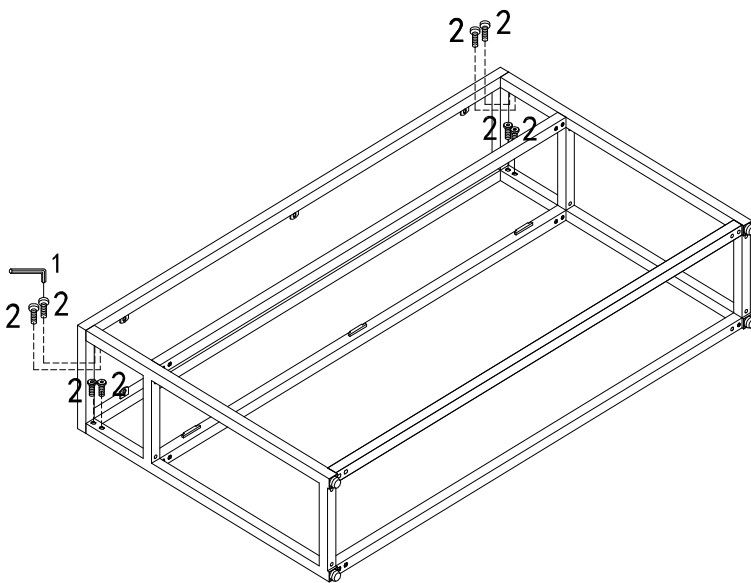


Figure 5

Screw the Bolts (**2**) to corresponding holes on assembled unit.

Tighten by rotating Bolts (**2**) clockwise with Allen Wrench (**1**) as shown.

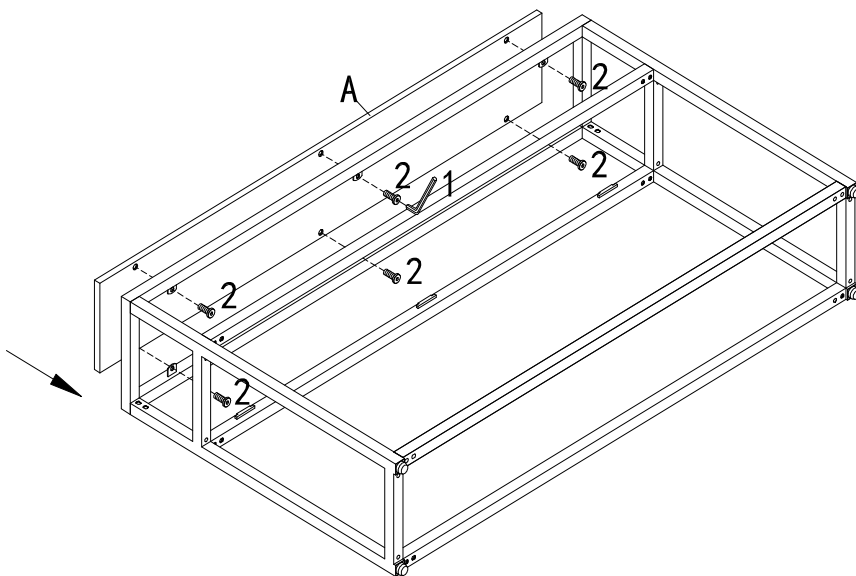
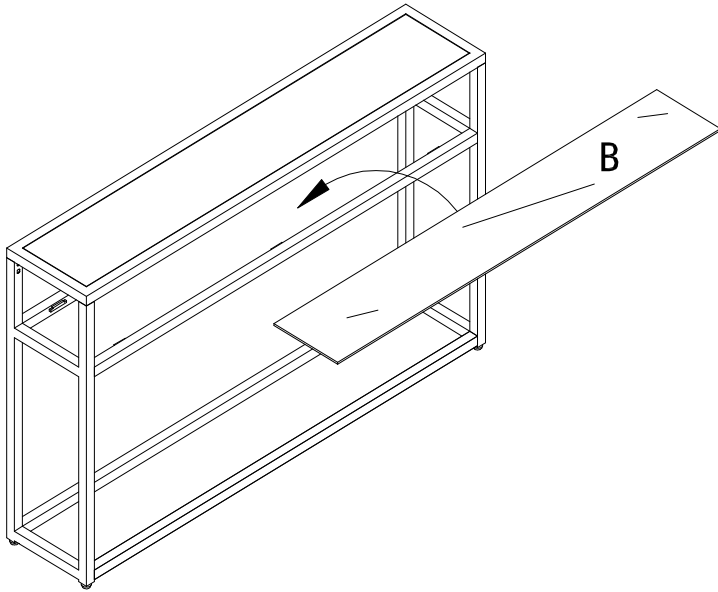


Figure 6

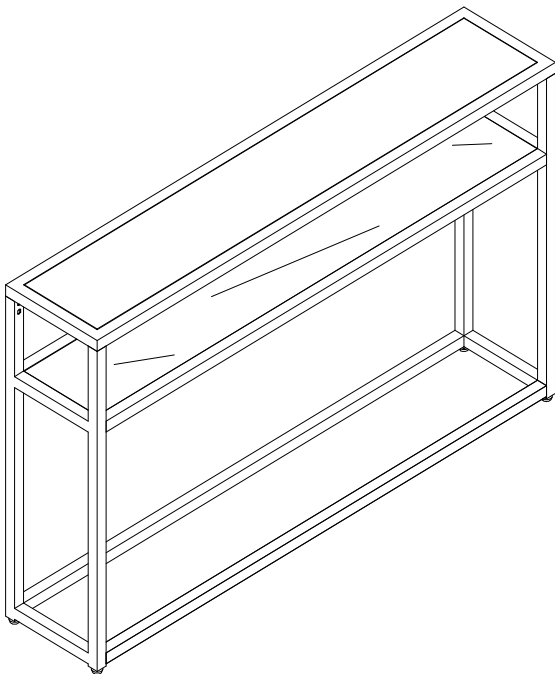
Attach Top Panel (**A**) to the top of assembled unit and secure with Bolts (**2**).

Tighten by rotating Bolts (**2**) clockwise with Allen Wrench (**1**) as shown.



Place Glass Shelf **(B)** onto the shelf frame as Figure 7 shows.

Figure 7



Now your Baldrick Console is ready for use.

Figure 8

Parts Replacement Form

Customer Information

Name _____

Address _____

City/State/Zip Code _____

Phone Number _____

Please indicate where you purchased this item: Store/Website/Catalog

Please indicate color/size/style number:

Style No	Parts Letter	Parts Description	Quantity Needed
_____	_____	_____	_____
_____	_____	_____	_____
_____	_____	_____	_____

Please immediately examine this product carefully. Any request for missing parts or damage replacement must be received within 90 days of your receipt of the product. Replacement, if available, will be honored within this time frame. Parts will not be available for items arriving fully assembled. We do not recommend modifying product(s) and we are not responsible for any damages due to product modification(s). If damages or missing parts are not reported within 90 days of your receipt, we are under no obligation to provide parts or replacement merchandise.

Please contact Southern Enterprises at 800-633-5096 or in Dallas 972-869-0111/ 9am – 4pm Mon-Fri Central time if you have product issues or email us at service@seidal.com. Please ask for customer service representative for issues involving damages or replacement parts. Please ask for technical assistance representative for any issues with product and assembly/construction.

Please contact the retailer that you purchased from for returns.



Southern
ENTERPRISES

Customer Service 1-800-633-5096
service@seidal.com
Southern Enterprises, Inc.
600 Freeport Parkway, Suite 200
Coppell, Texas 75019